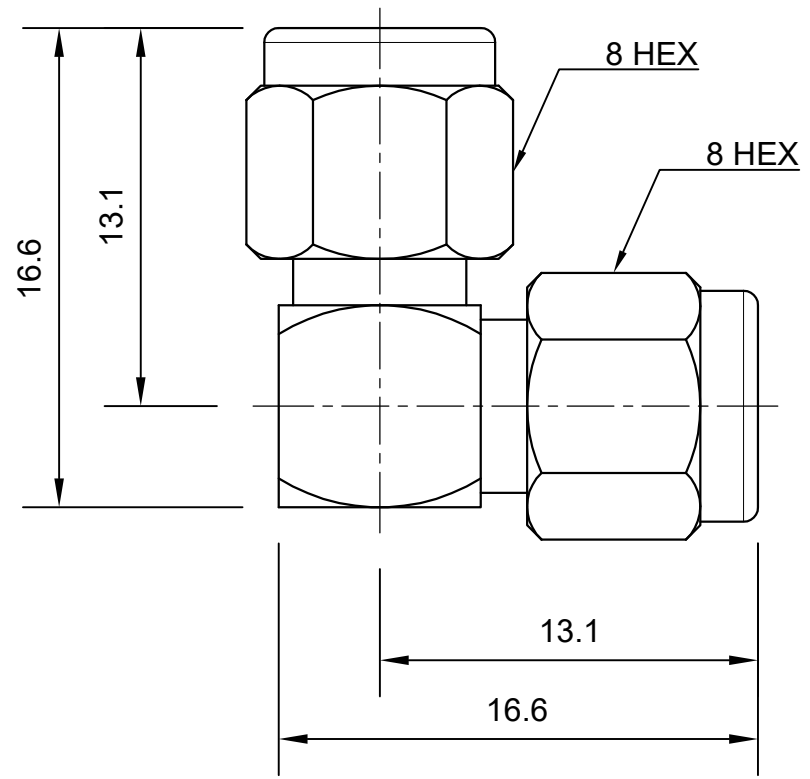


RevNo	Revision note	Date	Signature	Checked



TECHNICAL DATA	
Type	Adapter
Orientation	Right Angle
Impedance (Ohms)	50
Adapter Side 1	SMA
Side 1 Gender	Plug
Adapter Side 2	SMA
Side 2 Gender	Plug
Body Finish	Gold
Body Material	Brass
Contact Finish	Gold
Contact Material	Beryllium Copper
Insulator Material	PTFE
Max. Frequency (GHz)	18
Mounting Feature	--
Min. Temp. (Celsius)	-65
Max. Temp. (Celsius)	165
Weight (Grams)	7.5

	SHEET	1 of 1	SCALE	NTS
	<b>RF ADAPTER</b>			
	SMA Male to SMA Male			
	RIGHT ANGLE TYPE			
	DWG NO	VSW-AD-933231-R		
DRAWN	VINAY	22.10.2018		
CHECK				
APPR.	VINAY	22.10.2018		
ISSUED				
REV	R0			

FILE PATH: D:\VINSUR\DRAWINGS -- VINSUR\ADAPTERS\SMA - SMA  
 FILE NAME: ADAPTER - SMA Male to SMA Male Right Angle - VSW-AD-933231-R.dwg

SIZE